

# ELECTRONIC COMBINATION LOCK "VIC" - HORIZONTAL

- high quality furniture fittings

**SISO** DENMARK

## ELEC. COMBINATION LOCK "VIC" - HORIZONTAL

### Application:

Suitable for drawers, lockers, cabinets and wardrobes.

### Accessories for one set:

1 zamak housing w/turning knob 95 x 30 x 12 mm (L/W/D)

1 zamak cylinder size: Ø19 x 20 or Ø19 x 30 mm

1 straight steel cam plate C/E: 40 mm

1 black rubber gasket

3 M4 fixing screws

1 fixing hex nut

### Specifications:

Zamak lock housing – black or white powder coated

Horizontal installation

Switch freely between public & private mode

90 degree turn – right or left hand version

W/master key system code #07

3 levels of management. Master, sub-master and user code

For 0 - 12 mm (20mm cylinder) and 12-22 mm (30mm cylinder)

W/Auto-timer function (unlock after X hours)

IP 65 rating

Powered by CR2450 Battery (included)

EC, REACH and Rohs certified

### Item No.:

Size: Ø19 x 20 mm, Right, Black # 14.60.420

Size: Ø19 x 20 mm, Right, White # 14.60.421

Size: Ø19 x 20 mm, Left, Black # 14.60.425

Size: Ø19 x 20 mm, Left, White # 14.60.426

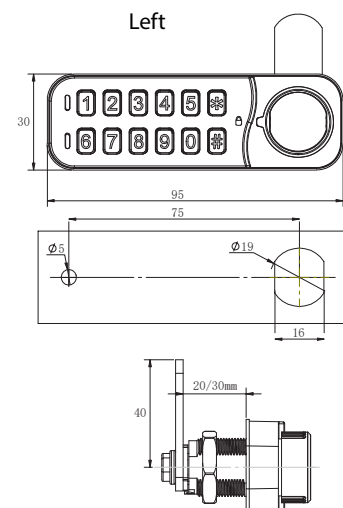
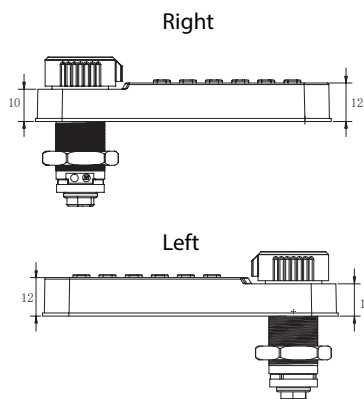
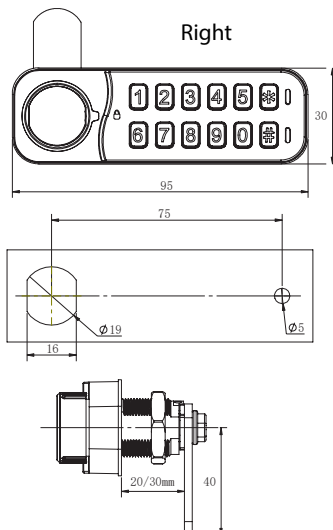
Size: Ø19 x 30 mm, Right, Black # 14.60.430

Size: Ø19 x 30 mm, Right, White # 14.60.431

Size: Ø19 x 30 mm, Left, Black # 14.60.435

Size: Ø19 x 30 mm, Left, White # 14.60.436

Master key #07 # 14.60.439



### SISO A/S

Mileparken 11 Phone: (+45) 45 830 900  
 DK - 2740 Skovlunde (Copenhagen) Fax: (+45) 45 830 444  
 Denmark E-mail: siso@siso.dk Web: www.siso.dk